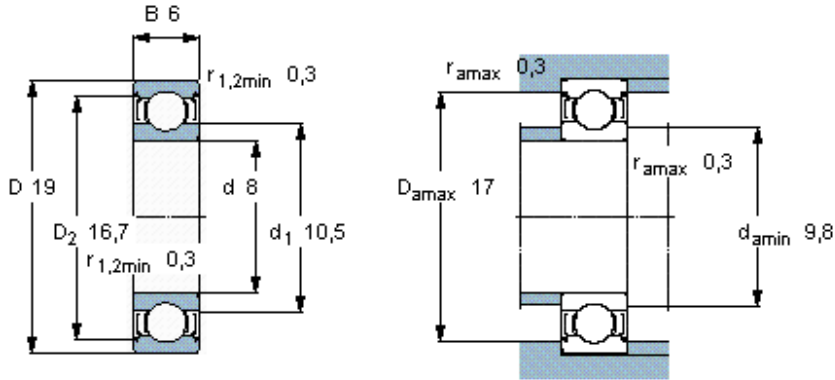


Deep groove ball bearings, single row, stainless steel

Principal dimensions			Basic load ratings		Speed ratings	Limiting speed	Designation
d	D	B	dynamic C	static C0	Reference speed		
mm			kN		r/min		-
<b>8</b>	19	6	1,25	0,455	80000	40000	W 619/8-2Z



**Calculation factors**

$k_r$  0,02  
 $f_0$  8,8